

PARTS LIST

[KS-LX200R]

* All printed circuit boards and its assemblies are not available as service parts.

Area suffix

E ----- Continental Europe
EX ----- Central Europe

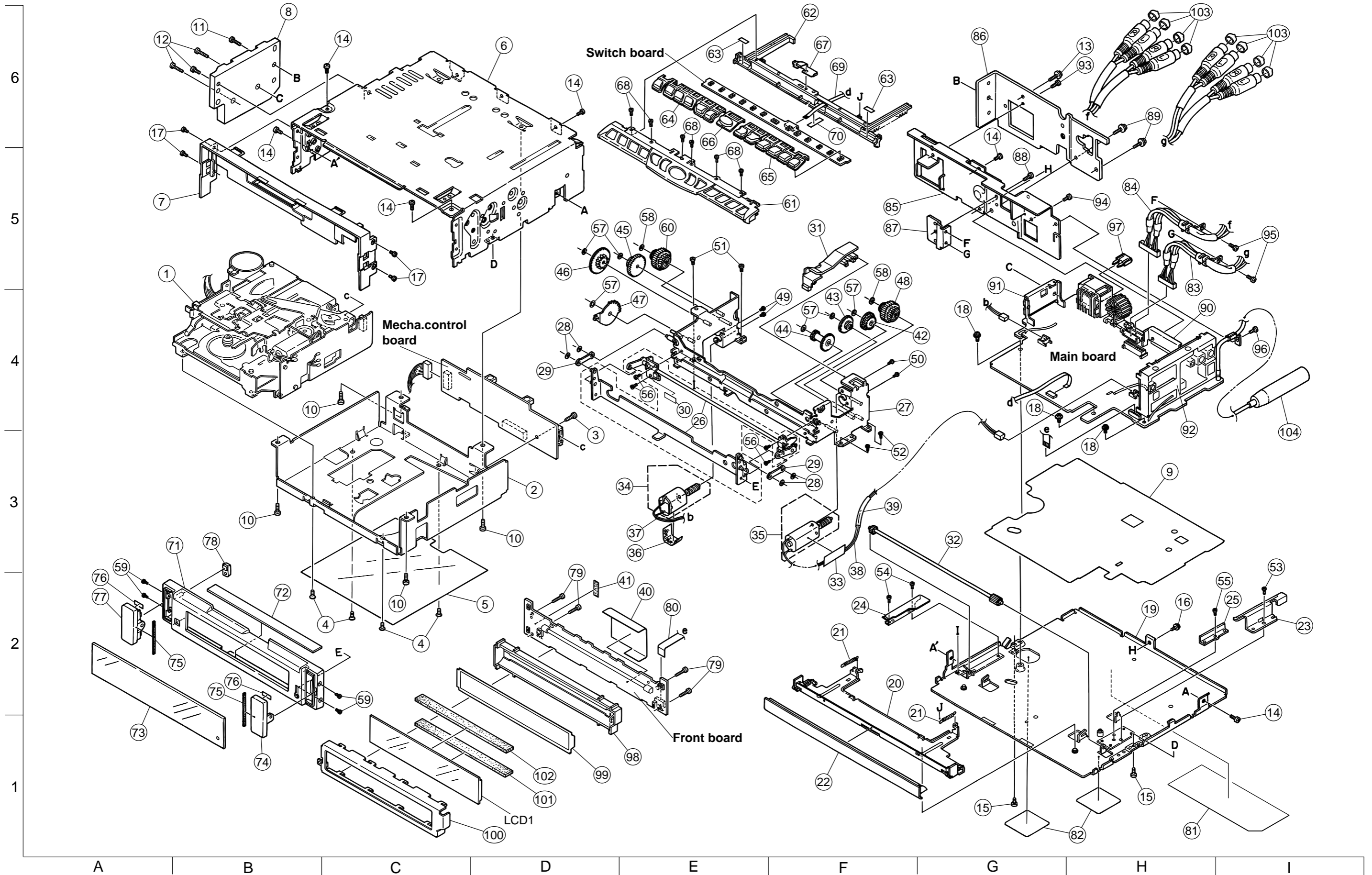
- Contents -

Exploded view of general assembly and parts list	3-3
Cassette mechanism assembly and parts list	3-6
Electrical parts list	3-9
Packing materials and accessories parts list	3-16

<<MEMO>>

Exploded view of general assembly and parts list

Block No. M 1 M M



■ Parts list (General assembly)

Block No. M1MM

△	Item	Parts number	Parts name	Q'ty	Description	Area
	1	-----	CDS-522VJ2	1	CASSETTE MECHA	
	2	FSKM2006-001	MECHA BRACKET	1		
	3	QYSDST2604Z	SCREW	1	PCB+MECHA	
	4	FSKZ4004-002	SCREW	4	MECHA+M.BKT	
	5	FSMA4010-002	INSULATOR	1	M.BKT+SCREW	
	6	FSJC1065-001	TOP CHASSIS	1		
	7	FSJC1064-001	FRONT COVER	1		
	8	LV31602-003A	SIDE HEAT SINK	1		
	9	FSMA3007-001	INSULATOR	1		
	10	QYSDST2604Z	SCREW	4	T.CHAS+CS MECHA	
	11	QYSDSF2610Z	TAPPING SCREW	1	T.CHAS+S H.SINK	
	12	LV41200-003A	SPECIAL SCREW	3	T.CHAS+S H.SINK	
	13	LV41200-003A	SPECIAL SCREW	1	T.CHAS+REAR	
	14	QYSDST2604Z	SCREW	6	T.CHAS+B.CHAS	
	15	QYSDST2604Z	SCREW	2	T.CHAS+R.BKT	
	16	LV41200-001A	SPECIAL SCREW	1	BOTTOM CHA.+REAR BKT	
	17	QYSPSP2003M	SCREW	4	T.CHAS+F.COVER	
	18	LV41200-001A	SPECIAL SCREW	3	MAIN PWB+BOTTOM CHA.	
	19	LV31604-002A	BOTTOM ASS'Y	1		
	20	LV31605-001A	DOOR BASE ASS'Y	1		
	21	LV41452-001A	TENS SPRING BTM	2		
	22	LV31607-001A	PANEL COVER	1		
	23	LV31965-001A	BUTTON BASE BKT	1		
	24	LV41500-001A	BUTTON B.SUPPORT	1		
	25	LV41545-001A	BUTTON B.GUIDE	1		
	26	FSKL3014-001A	FRONT BKT ASS'Y	1		
	27	LV20614-002A	BRACKET ASS'Y	1		
	28	WDM215025	WASHER	4		
	29	LV41503-001A	ARM 3	2		
	30	FSYH4036-015	SHEET	1		
	31	LV31777-001A	FFC GUIDE	1		
	32	LV31610-001A	ROD GEAR	1		
	33	LV40847-002A	SPACER	1	MOTOR L	
	34	QAR0029001-SA2	FEED MOTOR	1	FOR BKT MOTOR L	
	35	PPN13KA10C-SA6	FEED MOTOR	1	FOR BKT MOTOR R	
	36	LV40847-002A	SPACER	1	MOTOR R	
	37	WJM0137-001A	E-SI CARD WIRE	1	FOR MOTOR L	
	38	WJM0136-001A	E-SI CARD WIRE	1	FOR MOTOR R	
	39	QWTA20H-030	UL VINYL TUBE	1	FOR R WIRE	
	40	QE40110-001A	SHIELD CASE	1		
	41	FSYH4036-064	SPACER	1		
	42	LV41463-001A	GEAR 1	1	R SIDE	
	43	LV41464-001A	GEAR 2	1	R SIDE	
	44	LV31611-001A	GEAR 3	1	R SIDE	
	45	LV41466-001A	GEAR 4	1	L SIDE	
	46	LV41467-001A	GEAR 5	1	L SIDE	
	47	LV31612-001A	GEAR 6	1	L SIDE	
	48	LV30981-004A	CLUTCH ASS'Y	1	RIGHT SIDE	

■ Parts list (General assembly)

Block No. M1MM

△	Item	Parts number	Parts name	Q'ty	Description	Area
	49	QYSPSPT2020Z	MINI SCREW	2	F.MOTOR+B.M. L	
	50	QYSPSPT2020Z	MINI SCREW	2	F.MOTOR+B.M. R	
	51	LV40865-001A	MINI SCREW	2	ROD BKT(L)+LO.BKT	
	52	LV40865-001A	MINI SCREW	2	ROD BKT(R)+LO.BKT	
	53	LV40865-001A	MINI SCREW	1	B.BASE BKT+BO.CHAS	
	54	LV40865-001A	MINI SCREW	2	B.B.SUPPO+BO.CHAS	
	55	LV40865-001A	MINI SCREW	1	B.B.GUIDE+BO.CHAS	
	56	LV40865-001A	MINI SCREW	4	BKT.M.L&R+C.BOTTOM	
	57	WDM215025	WASHER	6	FOR GEAR 1-6	
	58	WDM214540	WASHER	2	FOR CLUTCH ASSY	
	59	QYSPSPU1725M	SCREW	4	LO.UNIT A+DIS.PANEL	
	60	LV30981-005A	CLUTCH ASS'Y	1	LEFT SIDE	
	61	LV10317-007A	BUTTON PANEL	1	KS-LX200R	
	62	LV10318-001A	BUTTON BASE	1		
	63	LV40848-007A	SPACER(P)	2		
	64	LV20615-003A	PRESET BUTTON	1	LEFT PRESET BUTTON	
	65	LV20616-002A	PRESET BUTTON 2	1		
	66	LV31613-001A	FUNCTION BUTTON	1		
	67	LV41825-002A	PLATE SPRING	1		
	68	VKZ4777-004	MINI SCREW	6		
	69	WJT0030-001A	E-CARD WIRE	1		
	70	FSYH4036-035	SHEET	1	FOR E-CARD WIRE	
	71	FSJC1066-002	DISPLAY PANEL	1		
	72	LV32035-001A	D.P. PLATE	1		
	73	FSJD3026-001A	FINDER LENS	1		
	74	LV41469-001A	UP DOWN B.ASS'Y	1		
	75	VYSH1R5-007	SPACER	2		
	76	LV40848-009A	SPACER(P)	2		
	77	LV41471-001A	+/- BUTTON ASSY	1		
	78	LV41505-001A	REMOTE LENS	1		
	79	VKZ4777-001	MINI SCREW	4	D.PANEL+SW.PWB	
	80	WJT0031-001A	E-CARD WIRE	1		
	81	FSYN3148-105	NAME PLATE	1		
	82	LV41143-001A	SHEET	2		
	83	QAM0178-001	PIN CORD ASS'Y	1		
	84	QAM0179-001	CAR CABLE	1		
	85	LV30943-201A	REAR BRACKET	1		
	86	LV30946-005A	REAR HEAT SINK	1	BLACK ANODISED	
	87	LV40790-001A	PIN CORD BRACKET	1		
	88	QYSDST2604Z	SCREW	1		
	89	LV41200-003A	SPECIAL SCREW	2		
	90	LV40792-001A	REG.IC BRACKET	1		
	91	LV41863-001A	POWER IC BRACKET	1		
	92	VMA4652-001SS	SHIELD PLATE	1		
	93	QYSDST2606Z	SCREW	1		
	94	QYSDST2606Z	SCREW	1		
	95	QYSDST2604Z	SCREW	2		
	96	QYSDST2604Z	SCREW	1		

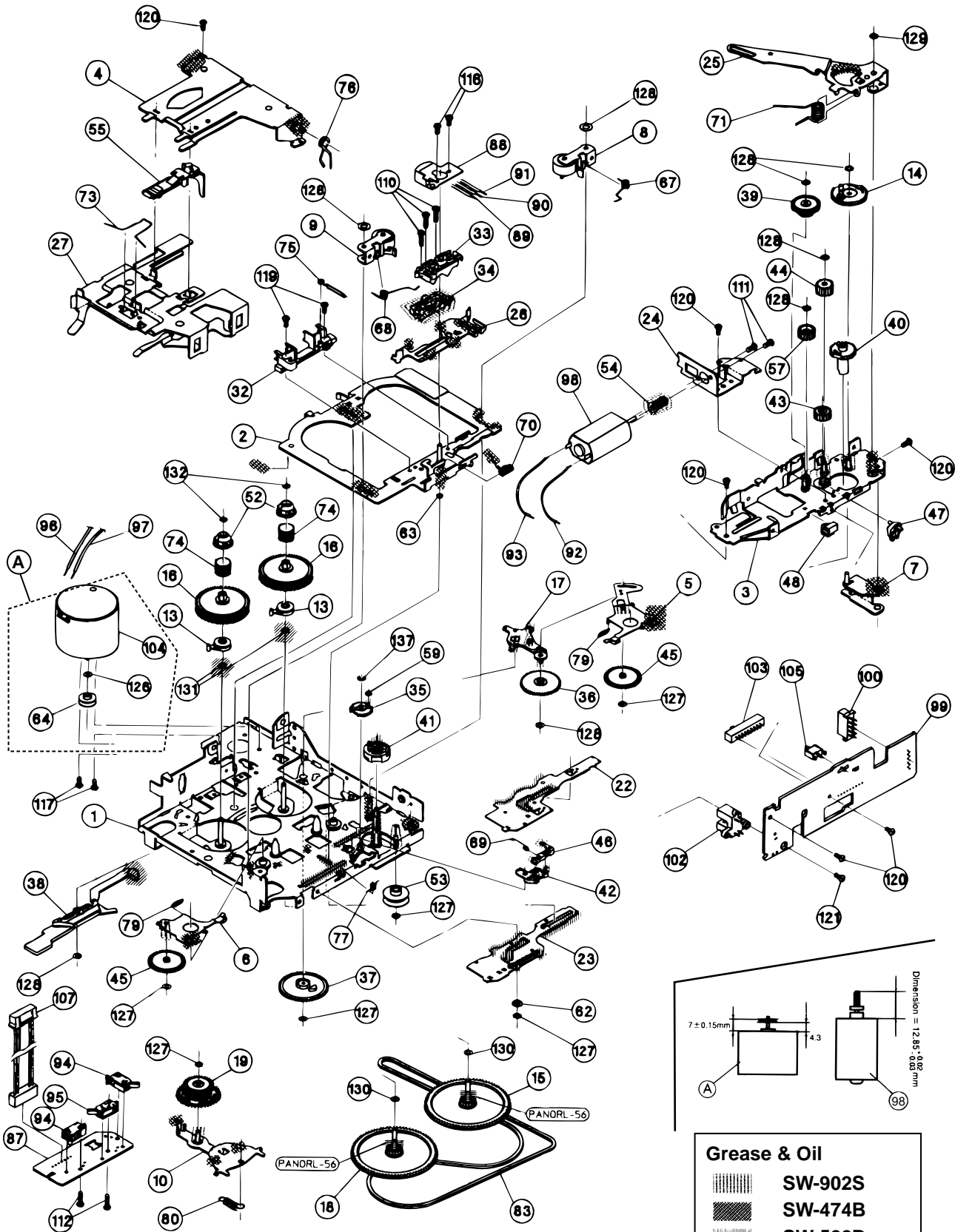
Parts list (General assembly)

Block No. M1MM

△	Item	Parts number	Parts name	Q'ty	Description	Area
△	97	QMFZ039-150-T	FUSE	1		
	98	FSKS3023-001	LIGHTING CASE	1		
	99	FSYH4081-002	LIGHTING SHEET	1	D105	
	100	FSYH2006-001	LCD CASE	1		
	101	QNZ0495-001	RUBBER CONNECTOR	1		
	102	QNZ0494-001	RUBBER CONNECTOR	1		
	103	VYTA500-001	PIN CAP	8		
	104	QAM0105-002	CAR CABLE	1	J1	
	LCD 1	QLD0149-001	LCD MODULE	1		

Cassette mechanism assembly and parts list

Block No. M 2 M M



MODEL: CDS522-VJ2

Parts list (Cassette mechanism)

Block No. M2MM

△	Item	Parts number	Parts name	Q'ty	Description	Area
	A	100367057S-SA1	DC MOTOR ASS'Y	1	(NO.64.104.126)	
	1	1-0522-6001-02S	CHASSIS ASS'Y	1		
	2	1-0522-6002-02S	HEAD PLATE ASSY	1		
	3	1-0522-6003-11S	SUB CHASSIS ASY	1		
	4	X-0522-1004S	HOLDER ARM ASSY	1		
	5	X-0522-1006-02S	T.U.ARM(F)ASS'Y	1		
	6	X-0522-1007S	T.U.ARM(R)ASS'Y	1		
	7	X-0522-1010S	SET ARM ASS'Y	1		
	8	X-0522-1019S	PINCH ARM(F)ASY	1		
	9	X-0522-1020S	PINCH ARM(R)ASY	1		
	10	X-0522-1022S	FR ARM ASS'Y	1		
	13	X-0522-2008S	DETECT ARM ASSY	2		
	14	X-0522-2010S	LOAD GEAR ASS'Y	1		
	15	X-0522-2016-6S	FLYWHEEL ASY(FN	1		
	16	X-0522-2018S	REEL TABLE ASSY	2		
	17	X-0522-2020S	REDUCT.GEAR ARM	1		
	18	X-0522-2021-6S	FLYWHEEL ASY(RN	1		
	19	X-0052-2001S	F.R. GEAR ASS'Y	1		
	22	1-0522-1008S	DIR.PLATE	1		
	23	1-0522-1031S	FF/REW PLATE	1		
	24	1-0522-1027S	MOTOR BKT	1		
	25	1-0522-1013-30S	LOAD ARM	1		
	26	1-0522-1014S	SHIFT CAM LINK	1		
	27	1-0522-1017-50S	CASSETTE HOLDER	1		
	32	1-0522-2001S	TAPE GUIDE	1		
	33	1-0522-2002S	HEAD BKT	1		
	34	1-0522-2003S	HEAD SHIFT CAM	1		
	35	1-0522-2004-03S	SELECT GEAR	1		
	36	1-0522-2005S	REDUCTION GEAR	1		
	37	1-0522-2006S	DETECT GEAR	1		
	38	1-0522-2007-50S	DETECTOR	1		
	39	1-0522-2009S	WORM GEAR	1		
	40	1-0522-2011S	MODE GEAR	1		
	41	1-0522-2012S	MODE GEAR(2)	1		
	42	1-0522-2013S	GEAR LATCH	1		
	43	1-0522-2014S	IDLE GEAR(1)	1		
	44	1-0522-2015S	IDLE GEAR(2)	1		
	45	1-0522-2017S	TU GEAR	2		
	46	1-0522-2019S	RACHET	1		
	47	1-0522-2022S	SW ACTUATER	1		
	48	1-0522-2024S	PWB STAY	1		
	52	1-0052-2004S	REEL DRIVER	2		
	53	1-0052-2006S	IDLE PULLEY	1		
	54	1-0522-2023S	WORM	1		
	55	1-0052-2032S	CATCH(K)	1		
	57	1-0052-2041S	COUNTER GEAR	1		
	59	1-0522-3005S	SELECT GEAR COL	1		
	62	1-0052-3028S	H.B. ROLLER(L)	1		

■ Parts list (Cassette mechanism)

Block No. M2MM

△	Item	Parts number	Parts name	Q'ty	Description	Area
	63	1-0052-3029S	H.B. ROLLER(S)	1		
	64	-----	MOTOR PULLEY	1		
	67	1-0522-4001S	PINCH ARM(F)SPG	1		
	68	1-0522-4002S	PINCH ARM(R)SPG	1		
	69	1-0522-4003S	GEAR LATCH SPG	1		
	70	1-0522-4004S	HEAD SPRING	1		
	71	1-0522-4006S	LOAD ARM SPG	1		
	73	1-0522-4008S	CATCH SPRING	1		
	74	1-0522-4010S	REEL DRIVER SPG	2		
	75	1-0522-4011S	DASH SPRING	1		
	76	1-0522-4014S	HOLDER ARM SPG	1		
	77	1-0522-4016S	HOLD SPRING	1		
	79	1-0522-4017S	TU ARM SPRING	2		
	80	1-0522-4015S	FR ARM SPRING	1		
	83	1-0052-5022S	BELT	1		
	87	1-0522-7042S	REEL PWB	1		
	88	1-0522-7003S	2CH HEAD	1	P-7742-HG	
	89	1-0522-7004S	HEAD WIRE(A)	1		
	90	1-0522-7005S	HEAD WIRE(B)	1		
	91	1-0522-7006S	HEAD WIRE(C)	1		
	92	1-0522-7007-04S	SUB MOTOR WIRE	1	RED	
	93	1-0522-7008-04S	SUB MOTOR WIRE	1	BLACK	
	94	1-0522-7038S	LEAF SW	2	10920	
	95	1-0522-7039S	LEAF SW	1	11610	
	96	1-0522-7013S	MOTOR WIRE	1	RED	
	97	1-0522-7014S	MOTOR WIRE	1	BLACK	
	98	1-0522-7040S	SUB MOTOR	1	FF-050SK-10200	
	99	1-0522-7022-01S	HEAD PWB(JV)	1		
	100	1-0522-7024S	CONNECTOR 10P	1	TKC-F10X-K1	
	102	X-0052-7040S	PHOTO COUPLER	1		
	103	1-0036-7007-1S	SLIDE SWITCH	1	SLD-32-710S	
	104	-----	MOTOR ASS'Y	1	EG-520ED-3B	
	105	1-0056-7011S	SWITCH	1	SW-112-5	
	107	1-0052-7013S	JOINT WIRE (7P)	1		
	110	1-0522-5003S	AZIMUTH SCREW	3		
	111	1-0052-5023S	MOTOR SCREW	2	M2X2.5	
	112	1-0101-5006S	SCREW PLAIN	2	M1.7X7	
	116	1-0522-5005S	SPECIAL SCREW(2	2		
	117	2-1032-0022-C2S	MACHINE SCREW	2	M2X2.2	
	119	1-0522-5006S	SPECIAL SCREW(3	2		
	120	2-1332-0030-C1S	SCREW	6	M2X3	
	121	2-1382-0050-C2S	PLAIN	1	M2X5	
	126	-----	MYLAR WASHER	1		
	127	2-1812-0030-D2S	POLY WASHER(S)	6	1.2X3X0.25	
	128	2-1816-0032-D2S	POLY WASHER(S)	8	1.6X3.2X0.25	
	129	2-1817-5040-D8S	LMW-S	1	1.75X4X0.25	
	130	2-1816-0032-E8S	MYLAR WASHER(S)	2	1.6X3.2X0.35	
	131	2-1821-0040-D1S	POLY WASHER	2	2.1X4X0.25	
	132	1-0053-5005S	LMW-S	2	1.5X3.2X0.25	
	137	2-1711-5040-16S	E RING	1	1.5	

■ Electrical parts list (Main board)

Block No. 01

△	Item	Parts number	Parts name	Remarks	Area	△	Item	Parts number	Parts name	Remarks	Area
	BZ791	QAN0009-001Z	BUZZER				C 202	NCS21HJ-681X	C CAPACITOR		
	C 1	NCB21EK-473X	C CAPACITOR				C 203	QERF1HM-224Z	E CAPACITOR	0.22MF 20% 50V	
	C 2	QERF1CM-226Z	E CAPACITOR	22MF 20% 16V			C 204	QERF1HM-105Z	E CAPACITOR	1.0MF 20% 50V	
	C 3	NCB21HK-103X	C CAPACITOR				C 212	QERF1CM-475Z	E CAPACITOR	4.7MF 20% 16V	
	C 4	QERF1CM-226Z	E CAPACITOR	22MF 20% 16V			C 218	NCB21HK-472X	C CAPACITOR		
	C 5	QERF1AM-227Z	E CAPACITOR	220MF 20% 10V			C 219	QERF1CM-106Z	E CAPACITOR	10MF 20% 16V	
	C 6	NCB21EK-473X	C CAPACITOR				C 220	NCB21HK-471X	C CAPACITOR		
	C 7	NCB21HK-183X	C CAPACITOR				C 241	QERF1HM-105Z	E CAPACITOR	1.0MF 20% 50V	
	C 8	NCB21HK-104X	C CAPACITOR				C 242	QERF1HM-105Z	E CAPACITOR	1.0MF 20% 50V	
	C 10	NCS21HJ-101X	C CAPACITOR				C 243	NCS21HJ-331X	C CAPACITOR		
	C 11	NCB21HK-473X	C CAPACITOR				C 244	NCS21HJ-331X	C CAPACITOR		
	C 21	NCS21HJ-331X	C CAPACITOR				C 272	QERF1CM-106Z	E CAPACITOR	10MF 20% 16V	
	C 22	NCB21HK-103X	C CAPACITOR				C 273	QERF0JM-226Z	E CAPACITOR	22MF 20% 6.3V	
	C 23	NCB21HK-472X	C CAPACITOR				C 301	QERF1EM-475Z	E CAPACITOR	4.7MF 20% 25V	
	C 24	NCB21EK-104X	C CAPACITOR				C 302	QERF1EM-475Z	E CAPACITOR	4.7MF 20% 25V	
	C 25	QERF1HM-474Z	E CAPACITOR	0.47MF 20% 50V			C 303	QERF1CM-476Z	E CAPACITOR	4.7MF 20% 16V	
	C 31	NCB21HK-103X	C CAPACITOR				C 305	QERF1EM-475Z	E CAPACITOR	4.7MF 20% 25V	
	C 32	QERF1HM-474Z	E CAPACITOR	0.47MF 20% 50V			C 306	QERF1EM-475Z	E CAPACITOR	4.7MF 20% 25V	
	C 33	NCB21HK-102X	C CAPACITOR				C 307	QERF1AM-107Z	E CAPACITOR	100MF 20% 10V	
	C 34	NCB21HK-682X	C CAPACITOR				C 308	QERF1EM-475Z	E CAPACITOR	4.7MF 20% 25V	
	C 35	QERF1CM-226Z	E CAPACITOR	22MF 20% 16V			C 309	QERF1EM-475Z	E CAPACITOR	4.7MF 20% 25V	
	C 36	NCB21HK-152X	C CAPACITOR				C 310	QERF1AM-107Z	E CAPACITOR	100MF 20% 10V	
	C 37	NCB21HK-103X	C CAPACITOR				C 321	QERF1CM-106Z	E CAPACITOR	10MF 20% 16V	
	C 38	NCB21EK-473X	C CAPACITOR				C 322	NCB21HK-103X	C CAPACITOR		
	C 39	QERF1HM-104Z	E CAPACITOR	0.1MF 20% 50V			C 323	QERF1CM-476Z	E CAPACITOR	47MF 20% 16V	
	C 40	QERF1HM-105Z	E CAPACITOR	1.0MF 20% 50V			C 324	QERF1CM-106Z	E CAPACITOR	10MF 20% 16V	
	C 41	NCB21HK-103X	C CAPACITOR				C 325	QERF1HM-225Z	E CAPACITOR	2.2MF 20% 50V	
	C 42	QERF1HM-105Z	E CAPACITOR	1.0MF 20% 50V			C 327	NCB21EK-823X	C CAPACITOR		
	C 43	QERF1HM-105Z	E CAPACITOR	1.0MF 20% 50V			C 328	NCB21HK-682X	C CAPACITOR		
	C 44	QERF1HM-105Z	E CAPACITOR	1.0MF 20% 50V			C 329	QERF1HM-225Z	E CAPACITOR	2.2MF 20% 50V	
	C 45	QERF1HM-105Z	E CAPACITOR	1.0MF 20% 50V			C 330	NCB21HK-123X	C CAPACITOR		
	C 46	NBE21CM-105X	E CAPACITOR				C 331	NCB21HK-562X	C CAPACITOR		
	C 51	NDC21HJ-820X	C CAPACITOR				C 332	NCB21HK-273X	C CAPACITOR		
	C 52	NDC21HJ-470X	C CAPACITOR				C 333	NCB21HK-273X	C CAPACITOR		
	C 53	QERF0JM-476Z	E CAPACITOR	47MF 20% 6.3V			C 334	NCB21HK-333X	C CAPACITOR		
	C 54	NCB21HK-103X	C CAPACITOR				C 335	QERF1HM-225Z	E CAPACITOR	2.2MF 20% 50V	
	C 55	NCS21HJ-561X	C CAPACITOR				C 336	NCB21HK-473X	C CAPACITOR		
	C 56	NCB21EK-223X	C CAPACITOR				C 337	NCB21HK-473X	C CAPACITOR		
	C 57	QERF1HM-225Z	E CAPACITOR	2.2MF 20% 50V			C 351	NCB21HK-104X	C CAPACITOR		
	C 101	NCB21HK-153X	C CAPACITOR				C 352	NCB21HK-103X	C CAPACITOR		
	C 102	NCS21HJ-681X	C CAPACITOR				C 353	QERF1EM-475Z	E CAPACITOR	4.7MF 20% 25V	
	C 103	QERF1HM-224Z	E CAPACITOR	0.22MF 20% 50V			C 354	NCB21HK-104X	C CAPACITOR		
	C 104	QERF1HM-105Z	E CAPACITOR	1.0MF 20% 50V			C 355	NCB21HK-471X	C CAPACITOR		
	C 112	QERF1CM-475Z	E CAPACITOR	4.7MF 20% 16V			C 356	QERF1CM-106Z	E CAPACITOR	10MF 20% 16V	
	C 117	NCB21HK-104X	C CAPACITOR				C 357	NCB21HK-472X	C CAPACITOR		
	C 118	NCB21HK-472X	C CAPACITOR				C 358	NCB21CK-224X	C CAPACITOR		
	C 119	QERF1CM-106Z	E CAPACITOR	10MF 20% 16V			C 359	NCB21CK-224X	C CAPACITOR		
	C 120	NCB21HK-471X	C CAPACITOR				C 401	QERF1EM-475Z	E CAPACITOR	4.7MF 20% 25V	
	C 121	NCB31HK-332X	C CAPACITOR				C 402	QERF1EM-475Z	E CAPACITOR	4.7MF 20% 25V	
	C 122	NCB31HK-332X	C CAPACITOR				C 403	QERF1CM-476Z	E CAPACITOR	47MF 20% 16V	
	C 141	QERF1HM-105Z	E CAPACITOR	1.0MF 20% 50V			C 405	QERF1EM-475Z	E CAPACITOR	4.7MF 20% 25V	
	C 142	QERF1HM-105Z	E CAPACITOR	1.0MF 20% 50V			C 406	QERF1EM-475Z	E CAPACITOR	4.7MF 20% 25V	
	C 143	NCS21HJ-331X	C CAPACITOR				C 407	QERF1AM-107Z	E CAPACITOR	100MF 20% 10V	
	C 144	NCS21HJ-331X	C CAPACITOR				C 408	QERF1EM-475Z	E CAPACITOR	4.7MF 20% 25V	
	C 161	QERF1HM-105Z	E CAPACITOR	1.0MF 20% 50V			C 409	QERF1EM-475Z	E CAPACITOR	4.7MF 20% 25V	
	C 162	QERF1CM-226Z	E CAPACITOR	22MF 20% 16V			C 410	QERF1AM-107Z	E CAPACITOR	100MF 20% 10V	
	C 163	NCB21EK-473X	C CAPACITOR				C 451	NCB21HK-104X	C CAPACITOR		
	C 164	QERF1HM-224Z	E CAPACITOR	0.22MF 20% 50V			C 452	NCB21HK-103X	C CAPACITOR		
	C 172	QERF1CM-106Z	E CAPACITOR	10MF 20% 16V			C 454	NCB21HK-104X	C CAPACITOR		
	C 173	QERF0JM-226Z	E CAPACITOR	22MF 20% 6.3V			C 455	NCB21HK-471X	C CAPACITOR		
	C 174	NCB21EK-223X	C CAPACITOR				C 456	QERF1CM-106Z	E CAPACITOR	10MF 20% 16V	
	C 175	QERF0JM-476Z	E CAPACITOR	47MF 20% 6.3V			C 457	NCB21HK-472X	C CAPACITOR		
	C 201	NCB21HK-153X	C CAPACITOR				C 458	NCB21CK-224X	C CAPACITOR		

■ Electrical parts list (Main board)

Block No. 01

△	Item	Parts number	Parts name	Remarks	Area	△	Item	Parts number	Parts name	Remarks	Area
	C 459	NCB21CK-224X	C CAPACITOR			CN901	QNZ0090-001	CAR CONNECTOR			
	C 701	NDC21HJ-220X	C CAPACITOR			D 1	1SS355-X	DIODE			
	C 702	NDC21HJ-270X	C CAPACITOR			D 2	1SS355-X	DIODE			
	C 703	NDC21HJ-270X	C CAPACITOR			D 3	1SS355-X	DIODE			
	C 704	NDC21HJ-8R0X	C CAPACITOR			D 11	MA152WK-X	SI DIODE			
	C 705	NCS21HJ-471X	C CAPACITOR			D 31	1SS355-X	DIODE			
	C 707	NCB21EK-103X	C CAPACITOR			D 101	MA152WK-X	SI DIODE			
	C 708	NBE21AM-106X	E CAPACITOR			D 111	MA152WK-X	SI DIODE			
	C 710	QERF1AM-227Z	E CAPACITOR	220MF 20% 10V		D 131	MA152WA-X	DIODE			
	C 711	NCS21HJ-471X	C CAPACITOR			D 161	1SS355-X	DIODE			
	C 713	QERF1AM-227Z	E CAPACITOR	220MF 20% 10V		D 162	1SS355-X	DIODE			
	C 722	NCB21HK-222X	C CAPACITOR			D 201	MA152WK-X	SI DIODE			
	C 723	NCB21HK-222X	C CAPACITOR			D 231	MA152WA-X	DIODE			
	C 724	NCB21HK-222X	C CAPACITOR			D 332	MA152WK-X	SI DIODE			
	C 771	NCB21EK-473X	C CAPACITOR			D 351	MA152WK-X	SI DIODE			
	C 791	QERF1HM-104Z	E CAPACITOR	0.1MF 20% 50V		D 451	MA152WK-X	SI DIODE			
	C 831	QERF1AM-107Z	E CAPACITOR	100MF 20% 10V		D 701	CRS03-W	SB DIODE			
	C 832	NCB21HK-103X	C CAPACITOR			D 702	UDZS5.1B-X	ZENER DIODE			
	C 911	QERF1CM-476Z	E CAPACITOR	47MF 20% 16V		D 703	UDZS5.1B-X	ZENER DIODE			
	C 912	QERF1AM-107Z	E CAPACITOR	100MF 20% 10V		D 711	1SS355-X	DIODE			
	C 913	NCB21EK-104X	C CAPACITOR			D 941	1SS355-X	DIODE			
	C 914	NCB21EK-473X	C CAPACITOR			D 961	1N5404-TU-15	DIODE			
	C 921	NCS21HJ-101X	C CAPACITOR			D 962	CRS03-W	SB DIODE			
	C 922	NCS21HJ-101X	C CAPACITOR			D 963	MA152WA-X	DIODE			
	C 923	NCS21HJ-101X	C CAPACITOR			D 967	CRS03-W	SB DIODE			
	C 924	NCS21HJ-101X	C CAPACITOR			D 978	UDZ11B-X	ZENER DIODE			
	C 925	NCS21HJ-101X	C CAPACITOR			D 980	1SS355-X	DIODE			
	C 926	NCS21HJ-101X	C CAPACITOR			D 986	MA152WA-X	DIODE			
	C 927	NCS21HJ-101X	C CAPACITOR			IC 31	LA3460M-X	IC			
	C 928	NCS21HJ-101X	C CAPACITOR			IC 51	SAA6579T-X	IC			
	C 931	NDC21HJ-101X	C CAPACITOR			IC171	NJM4565M-W	IC			
	C 932	NCB21EK-473X	C CAPACITOR			IC301	BA3220FV-X	IC			
	C 941	QERF1CM-106Z	E CAPACITOR	10MF 20% 16V		IC321	M5282FP-XE	IC			
	C 942	QERF1CM-476Z	E CAPACITOR	47MF 20% 16V		IC322	BU4066BCFV-X	IC			
	C 943	NCB21HK-103X	C CAPACITOR			IC323	NJM4565M-W	IC			
	C 944	QERF1CM-106Z	E CAPACITOR	10MF 20% 16V		IC401	BA3220FV-X	IC			
	C 946	NCB21EK-104X	C CAPACITOR			IC701	UPD784215AGC113	IC			
	C 947	NCB21EK-104X	C CAPACITOR			IC702	IC-PST600M/G/-W	IC(1197)			
	C 948	NCB21EK-104X	C CAPACITOR			IC703	BR24C32F-X	IC(EEPROM)			
	C 949	NCB21EK-104X	C CAPACITOR			IC771	HD74HC126FP-X	IC			
	C 961	QEZ0337-228	E CAPACITOR	2200MF		IC831	KA3031	IC			
	C 962	QERF1HM-225Z	E CAPACITOR	2.2MF 20% 50V		IC911	BD3860K	IC			
	C 964	QERF1AM-227Z	E CAPACITOR	220MF 20% 10V		IC941	LA4743B	IC			
	C 965	QERF1AM-227Z	E CAPACITOR	220MF 20% 10V		IC951	NJM4565M-W	IC			
	C 966	NCB21HK-103X	C CAPACITOR			IC961	BA4905-V3	IC			
	C 967	QERF1CM-226Z	E CAPACITOR	22MF 20% 16V		L 1	NQL334J-4R7X	INDUCTOR			
	C 968	NCB21EK-104X	C CAPACITOR			L 701	NQL114K-470X	INDUCTOR			
	C 969	QERF1CM-106Z	E CAPACITOR	10MF 20% 16V		L 961	QQR0703-001	CHOKE COIL			
	C 971	QERF1CM-226Z	E CAPACITOR	22MF 20% 16V		PP 1	QZW0010-001	STYLE PIN			
	C 977	QERF1CM-476Z	E CAPACITOR	47MF 20% 16V		PP 3	QZW0010-001	STYLE PIN			
	C 978	QERF0JM-476Z	E CAPACITOR	47MF 20% 6.3V		PP 4	QZW0010-001	STYLE PIN			
	C 982	QERF1CM-106Z	E CAPACITOR	10MF 20% 16V		Q 1	UN2211-X	TRANSISTOR			
	C 986	NCB21EK-104X	C CAPACITOR			Q 11	2SB815/7/-X	TRANSISTOR			
	CF 31	QAX0605-001	CRYSTAL			Q 12	UN2211-X	TRANSISTOR			
	CN301	QGA2501C1-07	7P CONNECTOR			Q 13	2SB709A/R/-X	TRANSISTOR			
	CN302	QGA2501C1-06	6P CONNECTOR			Q 21	2SC2412K/R/-X	TRANSISTOR			
	CN503	QGA2501F1-02	CONNECTOR			Q 22	2SC2412K/R/-X	TRANSISTOR			
	CN504	QGA2501F1-02	CONNECTOR			Q 23	2SC2412K/R/-X	TRANSISTOR			
	CN701	QGF0503C1-16V	FPC CONNECTOR			Q 24	UN2211-X	TRANSISTOR			
	CN702	QGF0501F1-06X	CONNECTOR			Q 31	UN2111-X	TRANSISTOR			
	CN703	QGB1214J1-18S	CONNECTOR			Q 32	UN2211-X	TRANSISTOR			
	CN704	QGA1201C2-04X	CONNECTOR			Q 33	2SD601A/R/-X	TRANSISTOR			
	CN771	QNZ0095-001	CONNECTOR			Q 34	UN2111-X	TRANSISTOR			

■ Electrical parts list (Main board)

Block No. 01

△	Item	Parts number	Parts name	Remarks	Area	△	Item	Parts number	Parts name	Remarks	Area
	Q 35	2SB709A/R/-X	TRANSISTOR				R 52	NRSA02J-222X	MG RESISTOR		
	Q 36	UN2211-X	TRANSISTOR				R 53	NRSA02J-222X	MG RESISTOR		
	Q 131	2SD1048/6-7/-X	TRANSISTOR				R 54	NRSA02J-222X	MG RESISTOR		
	Q 132	2SD1048/6-7/-X	TRANSISTOR				R 101	NRSA02J-103X	MG RESISTOR		
	Q 161	2SD601A/R/-X	TRANSISTOR				R 102	NRSA02J-223X	MG RESISTOR		
	Q 231	2SD1048/6-7/-X	TRANSISTOR				R 111	NRSA02J-224X	MG RESISTOR		
	Q 232	2SD1048/6-7/-X	TRANSISTOR				R 118	NRSA02J-101X	MG RESISTOR		
	Q 321	UN2211-X	TRANSISTOR				R 119	NRSA02J-102X	MG RESISTOR		
	Q 322	UN2211-X	TRANSISTOR				R 120	NCB21HK-332X	C CAPACITOR		
	Q 323	2SD1048/6-7/-X	TRANSISTOR				R 131	NRSA02J-222X	MG RESISTOR		
	Q 324	UN2211-X	TRANSISTOR				R 132	NRSA02J-222X	MG RESISTOR		
	Q 325	UN2111-X	TRANSISTOR				R 133	NRSA63J-681X	MG RESISTOR		
	Q 701	UN2211-X	TRANSISTOR				R 134	NRSA63J-681X	MG RESISTOR		
	Q 702	2SB8157/-X	TRANSISTOR				R 135	NRSA02J-101X	MG RESISTOR		
	Q 791	UN2211-X	TRANSISTOR				R 136	NRSA02J-101X	MG RESISTOR		
	Q 942	UN2211-X	TRANSISTOR				R 141	NRSA02J-473X	MG RESISTOR		
	Q 963	UN2213-X	TRANSISTOR				R 142	NRSA02J-473X	MG RESISTOR		
	Q 964	2SB709A/R/-X	TRANSISTOR				R 143	NRSA02J-823X	MG RESISTOR		
	Q 965	UN2211-X	TRANSISTOR				R 144	NRSA02J-823X	MG RESISTOR		
	Q 966	2SB709A/R/-X	TRANSISTOR				R 145	NRSA02J-473X	MG RESISTOR		
	Q 977	UN2111-X	TRANSISTOR				R 146	NRSA02J-473X	MG RESISTOR		
	Q 979	UN2111-X	TRANSISTOR				R 161	NRSA02J-473X	MG RESISTOR		
	Q 981	UN2111-X	TRANSISTOR				R 162	NRSA02J-123X	MG RESISTOR		
	Q 982	UN2211-X	TRANSISTOR				R 163	NRSA02J-184X	MG RESISTOR		
	Q 983	2SD601A/R/-X	TRANSISTOR				R 164	NRSA02J-223X	MG RESISTOR		
	Q 986	UN2211-X	TRANSISTOR				R 165	NRSA02J-391X	MG RESISTOR		
	Q 991	2SA1706/ST/-T	TRANSISTOR				R 166	NRSA02J-102X	MG RESISTOR		
	Q 992	UN2211-X	TRANSISTOR				R 167	NRSA02J-274X	MG RESISTOR		
	R 1	NRSA02J-0R0X	MG RESISTOR				R 172	NRSA02J-104X	MG RESISTOR		
	R 2	NRSA02J-104X	MG RESISTOR				R 173	NRSA02J-822X	MG RESISTOR		
	R 3	NRSA02J-100X	MG RESISTOR				R 174	NRSA02J-822X	MG RESISTOR		
	R 4	NRSA02J-103X	MG RESISTOR				R 175	NRSA02J-103X	MG RESISTOR		
	R 11	NRS181J-8R2X	MG RESISTOR				R 176	NRSA02J-103X	MG RESISTOR		
	R 12	NRSA02J-473X	MG RESISTOR				R 177	NRSA02J-102X	MG RESISTOR		
	R 13	NRSA02J-472X	MG RESISTOR				R 178	NRSA02J-471X	MG RESISTOR		
	R 14	NRSA02J-473X	MG RESISTOR				R 201	NRSA02J-103X	MG RESISTOR		
	R 15	NRSA02J-332X	MG RESISTOR				R 202	NRSA02J-223X	MG RESISTOR		
	R 21	NRSA02J-473X	MG RESISTOR				R 211	NRSA02J-224X	MG RESISTOR		
	R 22	NRSA02J-473X	MG RESISTOR				R 218	NRSA02J-101X	MG RESISTOR		
	R 23	NRSA02J-103X	MG RESISTOR				R 219	NRSA02J-102X	MG RESISTOR		
	R 24	NRSA02J-222X	MG RESISTOR				R 220	NCB21HK-332X	C CAPACITOR		
	R 25	NRSA02J-103X	MG RESISTOR				R 231	NRSA02J-222X	MG RESISTOR		
	R 26	NRSA02J-153X	MG RESISTOR				R 232	NRSA02J-222X	MG RESISTOR		
	R 27	NRSA02J-471X	MG RESISTOR				R 233	NRSA63J-681X	MG RESISTOR		
	R 28	NRSA02J-683X	MG RESISTOR				R 234	NRSA63J-681X	MG RESISTOR		
	R 31	NRSA02J-123X	MG RESISTOR				R 235	NRSA02J-101X	MG RESISTOR		
	R 32	NRSA02J-474X	MG RESISTOR				R 236	NRSA02J-101X	MG RESISTOR		
	R 33	NRSA02J-222X	MG RESISTOR				R 241	NRSA02J-473X	MG RESISTOR		
	R 34	NRSA02J-392X	MG RESISTOR				R 242	NRSA02J-473X	MG RESISTOR		
	R 35	NRSA02J-333X	MG RESISTOR				R 243	NRSA02J-823X	MG RESISTOR		
	R 36	NRSA02J-683X	MG RESISTOR				R 244	NRSA02J-823X	MG RESISTOR		
	R 37	NRSA02J-222X	MG RESISTOR				R 245	NRSA02J-473X	MG RESISTOR		
	R 38	NRSA02J-183X	MG RESISTOR				R 246	NRSA02J-473X	MG RESISTOR		
	R 39	NRSA02J-223X	MG RESISTOR				R 272	NRSA02J-104X	MG RESISTOR		
	R 40	NRSA02J-562X	MG RESISTOR				R 273	NRSA02J-822X	MG RESISTOR		
	R 41	NRSA02J-105X	MG RESISTOR				R 274	NRSA02J-822X	MG RESISTOR		
	R 42	NRSA02J-471X	MG RESISTOR				R 275	NRSA02J-103X	MG RESISTOR		
	R 43	NRSA02J-104X	MG RESISTOR				R 276	NRSA02J-103X	MG RESISTOR		
	R 44	NRSA02J-102X	MG RESISTOR				R 277	NRSA02J-102X	MG RESISTOR		
	R 45	NRSA02J-473X	MG RESISTOR				R 301	NRSA02J-243X	MG RESISTOR		
	R 46	NRSA02J-683X	MG RESISTOR				R 302	NRSA02J-243X	MG RESISTOR		
	R 47	NRSA02J-0R0X	MG RESISTOR				R 303	NRSA02J-333X	MG RESISTOR		
	R 51	NRSA02J-101X	MG RESISTOR				R 304	NRSA02J-333X	MG RESISTOR		

■ Electrical parts list (Main board)

Block No. 01

△	Item	Parts number	Parts name	Remarks	Area
	R 305	NRSA02J-154X	MG RESISTOR		
	R 321	NRSA02J-102X	MG RESISTOR		
	R 322	NRSA02J-103X	MG RESISTOR		
	R 323	NRSA02J-103X	MG RESISTOR		
	R 324	NRSA02J-104X	MG RESISTOR		
	R 325	NRSA02J-104X	MG RESISTOR		
	R 326	NRSA02J-103X	MG RESISTOR		
	R 327	NRSA02J-562X	MG RESISTOR		
	R 328	NRSA02J-153X	MG RESISTOR		
	R 329	NRSA02J-0R0X	MG RESISTOR		
	R 330	NRSA02J-473X	MG RESISTOR		
	R 331	NRSA02J-104X	MG RESISTOR		
	R 332	NRSA02J-104X	MG RESISTOR		
	R 333	NRSA02J-473X	MG RESISTOR		
	R 334	NRSA02J-473X	MG RESISTOR		
	R 335	NRSA02J-821X	MG RESISTOR		
	R 336	NRSA02J-473X	MG RESISTOR		
	R 337	NRSA02J-472X	MG RESISTOR		
	R 338	NRSA02J-101X	MG RESISTOR		
	R 339	NRSA02J-101X	MG RESISTOR		
	R 340	NRSA02J-474X	MG RESISTOR		
	R 341	NRSA02J-105X	MG RESISTOR		
	R 342	NRSA02J-105X	MG RESISTOR		
	R 343	NRSA02J-105X	MG RESISTOR		
	R 344	NRSA02J-105X	MG RESISTOR		
	R 351	NRSA02J-224X	MG RESISTOR		
	R 352	NRSA02J-224X	MG RESISTOR		
	R 353	NRSA02J-105X	MG RESISTOR		
	R 354	NRSA02J-682X	MG RESISTOR		
	R 355	NRSA02J-224X	MG RESISTOR		
	R 358	NRSA02J-332X	MG RESISTOR		
	R 401	NRSA02J-243X	MG RESISTOR		
	R 402	NRSA02J-243X	MG RESISTOR		
	R 403	NRSA02J-333X	MG RESISTOR		
	R 404	NRSA02J-333X	MG RESISTOR		
	R 405	NRSA02J-154X	MG RESISTOR		
	R 451	NRSA02J-224X	MG RESISTOR		
	R 452	NRSA02J-224X	MG RESISTOR		
	R 454	NRSA02J-682X	MG RESISTOR		
	R 455	NRSA02J-224X	MG RESISTOR		
	R 458	NRSA02J-332X	MG RESISTOR		
	R 701	NRSA02J-473X	MG RESISTOR		
	R 702	NRSA02J-821X	MG RESISTOR		
	R 703	NRSA02J-473X	MG RESISTOR		
	R 704	NRSA02J-473X	MG RESISTOR		
	R 705	NRSA02J-473X	MG RESISTOR		
	R 706	NRSA02J-103X	MG RESISTOR		
	R 707	NRSA02J-472X	MG RESISTOR		
	R 708	NRSA02J-472X	MG RESISTOR		
	R 709	NRSA02J-472X	MG RESISTOR		
	R 710	NRSA02J-103X	MG RESISTOR		
	R 711	NRSA02J-103X	MG RESISTOR		
	R 712	NRSA02J-103X	MG RESISTOR		
	R 713	NRSA02J-103X	MG RESISTOR		
	R 714	NRSA02J-103X	MG RESISTOR		
	R 715	NRSA02J-472X	MG RESISTOR		
	R 716	NRSA02J-472X	MG RESISTOR		
	R 717	NRSA02J-472X	MG RESISTOR		
	R 718	NQL012K-1R8X	INDUCTOR		
	R 719	NQL012K-1R8X	INDUCTOR		
	R 720	NRSA02J-331X	MG RESISTOR		
	R 721	NRSA02J-103X	MG RESISTOR		
	R 722	NRSA02J-103X	MG RESISTOR		

△	Item	Parts number	Parts name	Remarks	Area
	R 723	NRSA02J-102X	MG RESISTOR		
	R 724	NRSA02J-271X	MG RESISTOR		
	R 725	NRSA02J-271X	MG RESISTOR		
	R 728	NRSA02J-103X	MG RESISTOR		
	R 730	NRSA02J-103X	MG RESISTOR		
	R 731	NRSA63J-473X	MG RESISTOR		
	R 732	NRSA63J-473X	MG RESISTOR		
	R 733	NRSA63J-473X	MG RESISTOR		
	R 734	NRSA63J-472X	MG RESISTOR		
	R 735	NRSA63J-472X	MG RESISTOR		
	R 736	NRSA02J-102X	MG RESISTOR		
	R 737	NRSA02J-103X	MG RESISTOR		
	R 738	NRSA02J-103X	MG RESISTOR		
	R 739	NRSA02J-473X	MG RESISTOR		
	R 740	NRSA02J-473X	MG RESISTOR		
	R 742	NRSA02J-103X	MG RESISTOR		
	R 746	NRSA02J-473X	MG RESISTOR		
	R 747	NRSA02J-473X	MG RESISTOR		
	R 748	NRSA02J-473X	MG RESISTOR		
	R 749	NRSA02J-473X	MG RESISTOR		
	R 750	NRSA02J-473X	MG RESISTOR		
	R 751	NRSA02J-106X	MG RESISTOR		
	R 752	NRSA02J-473X	MG RESISTOR		
	R 757	NRSA02J-103X	MG RESISTOR		
	R 758	NRSA02J-331X	MG RESISTOR		
	R 761	NRSA02J-103X	MG RESISTOR		
	R 762	NRSA02J-222X	MG RESISTOR		
	R 763	NRSA02J-222X	MG RESISTOR		
	R 764	NRSA02J-222X	MG RESISTOR		
	R 765	NRSA02J-222X	MG RESISTOR		
	R 766	NRSA02J-222X	MG RESISTOR		
	R 767	NRSA02J-331X	MG RESISTOR		
	R 768	NRSA02J-473X	MG RESISTOR		
	R 772	NRSA02J-473X	MG RESISTOR		
	R 773	NRSA02J-223X	MG RESISTOR		
	R 774	NRSA02J-101X	MG RESISTOR		
	R 775	NRSA02J-103X	MG RESISTOR		
	R 776	NRSA02J-104X	MG RESISTOR		
	R 777	NRSA02J-223X	MG RESISTOR		
	R 778	NRSA02J-101X	MG RESISTOR		
	R 779	NRSA02J-473X	MG RESISTOR		
	R 781	NRSA02J-331X	MG RESISTOR		
	R 782	NRSA02J-104X	MG RESISTOR		
	R 783	NRSA02J-473X	MG RESISTOR		
	R 784	NRSA02J-473X	MG RESISTOR		
	R 785	NRSA02J-473X	MG RESISTOR		
	R 786	NRSA02J-473X	MG RESISTOR		
	R 787	NRSA02J-473X	MG RESISTOR		
	R 788	NRSA02J-473X	MG RESISTOR		
	R 789	NRSA02J-473X	MG RESISTOR		
	R 790	NRSA02J-473X	MG RESISTOR		
	R 791	NRSA02J-102X	MG RESISTOR		
	R 793	NRSA02J-0R0X	MG RESISTOR		
	R 794	NRSA02J-102X	MG RESISTOR		
	R 831	NRSA02J-472X	MG RESISTOR		
	R 832	NRSA02J-472X	MG RESISTOR		
	R 833	NRSA02J-332X	MG RESISTOR		
	R 834	NRSA02J-332X	MG RESISTOR		
	R 911	NRSA02J-222X	MG RESISTOR		
	R 912	NRSA02J-222X	MG RESISTOR		
	R 941	NRSA02J-273X	MG RESISTOR		
	R 942	NRSA02J-273X	MG RESISTOR		
	R 943	NRSA02J-102X	MG RESISTOR		

■ Electrical parts list (Main board)

Block No. 01

△	Item	Parts number	Parts name	Remarks	Area
	R 954	NRSA02J-103X	MG RESISTOR		
	R 961	QRE142J-102X	C RESISTOR	1.0K 5% 1/4W	
	R 962	NRSA02J-912X	MG RESISTOR		
	R 963	NRSA02J-472X	MG RESISTOR		
	R 964	NRSA02J-473X	MG RESISTOR		
	R 965	NRSA02J-222X	MG RESISTOR		
	R 970	NRSA02J-123X	MG RESISTOR		
	R 971	NRSA02J-393X	MG RESISTOR		
	R 975	NRSA02J-124X	MG RESISTOR		
	R 976	NRS181J-222X	MG RESISTOR		
	R 977	NRS181J-222X	MG RESISTOR		
	R 978	NRSA02J-104X	MG RESISTOR		
	R 981	NRSA02J-473X	MG RESISTOR		
	R 984	NRSA02J-473X	MG RESISTOR		
	R 985	NRSA02J-103X	MG RESISTOR		
	R 986	NRSA02J-102X	MG RESISTOR		
	R 987	NRSA02J-473X	MG RESISTOR		
	R 991	NRSA02J-183X	MG RESISTOR		
	R 992	NRSA02J-473X	MG RESISTOR		
	R 993	NRSA02J-103X	MG RESISTOR		
	R 994	NRSA02J-102X	MG RESISTOR		
	S 651	NSW0120-002X	PUSH SWITCH		
	S 652	NSW0120-002X	PUSH SWITCH		
	S 653	NSW0120-002X	PUSH SWITCH		
	TH981	NAD0021-103X	THERMISTOR		
	TU 1	QAU0157-002	TUNER PACK		
	VR 31	QVP0004-503Z	SEMI.V.RESISTOR		
	X 51	QAX0263-001Z	CRYSTAL		
	X 701	QAX0617-001Z	CRYSTAL		
	X 702	QAX0401-001	CRYSTAL		

■ Electrical parts list (Front&switch board) Block No. 02

△	Item	Parts number	Parts name	Remarks	Area
	BL611	QLL0059-001	BACK LIGHT		
	C 601	NBE20JM-475X	E CAPACITOR		
	C 602	NCB21HK-104X	C CAPACITOR		
	C 603	NCB21HK-104X	C CAPACITOR		
	C 604	NCS21HJ-221X	C CAPACITOR		
	C 611	NBE21AM-106X	E CAPACITOR		
	C 612	NFV41CG-393X	MPPS CAPACITOR		
	C 613	NCZ1011-180X	C CAPACITOR		
	C 614	NCB21EK-104X	C CAPACITOR		
	C 615	NCB21HK-562X	C CAPACITOR		
	C 625	NBE20JM-475X	E CAPACITOR		
	CN601	QGF0501F1-16X	FPC CONNECTOR		
	CN631	QGF0501F1-06X	CONNECTOR		
	D 621	SML-310LT/MN/-X	LED		
	D 622	SML-310LT/MN/-X	LED		
	D 623	SML-310LT/MN/-X	LED		
	D 624	SML-310LT/MN/-X	LED		
	D 625	MA3051/M/-X	ZENER DIODE		
	D 626	MA152WK-X	SI DIODE		
	D 627	LT1F67AF-W	LED		
	D 655	CL-190UB-X-X	LED		
	D 656	CL-190UB-X-X	LED		
	IC601	LC75873NW	IC		
	IC603	RPM6938-SV4	IC		
	L 611	NQLZ007-680X	INDUCTOR		
	L 612	NQR0372-001X	C FL TRANSF		
	L 613	NQL114K-470X	INDUCTOR		
	PC601	PR-20/B-E/-W	PHOTO REF.		
	PC602	PR-20/B-E/-W	PHOTO REF.		
	Q 611	2SD2185/R/-X	TRANSISTOR		
	Q 612	2SD2185/R/-X	TRANSISTOR		
	Q 691	2SD601A/R/-X	TRANSISTOR		
	Q 692	2SD601A/R/-X	TRANSISTOR		
	R 601	NRSA02J-103X	MG RESISTOR		
	R 602	NRSA02J-103X	MG RESISTOR		
	R 603	NRSA02J-103X	MG RESISTOR		
	R 604	NRSA02J-224X	MG RESISTOR		
	R 611	NRSA02J-472X	MG RESISTOR		
	R 612	NRSA02J-472X	MG RESISTOR		
	R 613	NRSA02J-681X	MG RESISTOR		
	R 621	NRSA02J-221X	MG RESISTOR		
	R 622	NRSA02J-221X	MG RESISTOR		
	R 623	NRSA02J-821X	MG RESISTOR		
	R 624	NRSA02J-821X	MG RESISTOR		
	R 625	NRSA02J-471X	MG RESISTOR		
	R 626	NRSA02J-103X	MG RESISTOR		
	R 627	NRSA02J-121X	MG RESISTOR		
	R 628	NRSA02J-0R0X	MG RESISTOR		
	R 629	NRSA02J-471X	MG RESISTOR		
	R 632	NRSA02J-221X	MG RESISTOR		
	R 633	NRSA02J-221X	MG RESISTOR		
	R 634	NRSA02J-221X	MG RESISTOR		
	R 635	NRSA02J-221X	MG RESISTOR		
	R 636	NRSA02J-821X	MG RESISTOR		
	R 637	NRSA02J-821X	MG RESISTOR		
	R 638	NRSA02J-122X	MG RESISTOR		
	R 639	NRSA02J-182X	MG RESISTOR		
	R 640	NRSA02J-272X	MG RESISTOR		
	R 641	NRSA02J-392X	MG RESISTOR		
	R 642	NRSA02J-821X	MG RESISTOR		
	R 643	NRSA02J-821X	MG RESISTOR		
	R 644	NRSA02J-122X	MG RESISTOR		
	R 645	NRSA02J-182X	MG RESISTOR		

△	Item	Parts number	Parts name	Remarks	Area
	R 646	NRSA02J-272X	MG RESISTOR		
	R 647	NRSA02J-392X	MG RESISTOR		
	R 651	NRSA02J-221X	MG RESISTOR		
	R 652	NRSA02J-221X	MG RESISTOR		
	R 655	NRSA02J-391X	MG RESISTOR		
	R 656	NRSA02J-391X	MG RESISTOR		
	R 671	NRSA02J-331X	MG RESISTOR		
	R 672	NRSA02J-331X	MG RESISTOR		
	R 673	NRSA02J-332X	MG RESISTOR		
	R 675	NRSA02J-332X	MG RESISTOR		
	R 676	NRSA02J-391X	MG RESISTOR		
	R 691	NRSA02J-104X	MG RESISTOR		
	R 692	NRSA02J-393X	MG RESISTOR		
	R 693	NRSA02J-104X	MG RESISTOR		
	R 694	NRSA02J-393X	MG RESISTOR		
	S 621	NSW0041-001X	TACT SWITCH		
	S 622	NSW0041-001X	TACT SWITCH		
	S 623	NSW0041-001X	TACT SWITCH		
	S 624	NSW0041-001X	TACT SWITCH		
	S 625	NSW0039-001X	TACT SWITCH		
	S 631	QSW0856-002X	TACT SWITCH		
	S 632	NSW0041-001X	TACT SWITCH		
	S 633	QSW0856-002X	TACT SWITCH		
	S 634	QSW0856-002X	TACT SWITCH		
	S 635	QSW0856-002X	TACT SWITCH		
	S 636	QSW0856-002X	TACT SWITCH		
	S 637	QSW0856-002X	TACT SWITCH		
	S 638	QSW0856-002X	TACT SWITCH		
	S 639	QSW0856-002X	TACT SWITCH		
	S 640	QSW0856-002X	TACT SWITCH		
	S 641	QSW0856-002X	TACT SWITCH		
	S 642	QSW0856-002X	TACT SWITCH		
	S 643	QSW0856-002X	TACT SWITCH		

■ Electrical parts list (Mecha.control board) Block No. 03

△	Item	Parts number	Parts name	Remarks	Area
	C 401	NCB21HK-122X	C CAPACITOR		
	C 402	NCB21HK-122X	C CAPACITOR		
	C 403	NDC21HJ-101X	C CAPACITOR		
	C 404	NDC21HJ-101X	C CAPACITOR		
	C 405	QEKJ1CM-226Z	E CAPACITOR	22MF 20% 16V	
	C 406	QFV61HJ-103Z	MF CAPACITOR	0.01MF 5% 50V	
	C 407	QEQF1HM-105Z	E CAPACITOR	1.0MF 20% 50V	
	C 408	QFV61HJ-104Z	MF CAPACITOR	0.1MF 5% 50V	
	C 409	QFV61HJ-103Z	MF CAPACITOR	0.01MF 5% 50V	
	C 410	QEKJ1CM-226Z	E CAPACITOR	22MF 20% 16V	
	C 411	QEQF1HM-105Z	E CAPACITOR	1.0MF 20% 50V	
	C 412	NDC21HJ-221X	C CAPACITOR		
	C 413	QFV61HJ-104Z	MF CAPACITOR	0.1MF 5% 50V	
	C 414	QEKJ1HM-474Z	E CAPACITOR	0.47MF 20% 50V	
	C 415	NCB21HK-103X	C CAPACITOR		
	C 416	NCB21EK-104X	C CAPACITOR		
	C 417	QEKJ1CM-106Z	E CAPACITOR	10MF 20% 16V	
	C 418	NCB21HK-103X	C CAPACITOR		
	C 419	NCB21EK-104X	C CAPACITOR		
	CP401	QGA2001F1-07	CONNECTOR		
	CP402	QGB1214K1-10S	CONNECTOR		
	CP403	QGB1214K1-18S	CONNECTOR		
	D 401	DSK10C-T1	DIODE		
	D 402	MA3036/L-X	ZENER DIODE		
	D 403	MA3075/M-X	ZENER DIODE		
	IC401	CXA2510AQ	IC		
	IC402	LB1641	IC		
	Q 401	2SB1322/RS-T	TRANSISTOR		
	Q 402	DTC114EKA-X	TRANSISTOR		
	Q 403	DTC144EKA-X	TRANSISTOR		
	R 401	NRSA02J-222X	MG RESISTOR		
	R 402	NRSA02J-104X	MG RESISTOR		
	R 403	NRSA02J-104X	MG RESISTOR		
	R 404	NRS181J-181X	MG RESISTOR		
	R 405	NRS181J-181X	MG RESISTOR		
	R 406	NRSA02J-304X	MG RESISTOR		
	R 407	NRSA02J-123X	MG RESISTOR		
	R 408	NRSA02J-183X	MG RESISTOR		
	R 409	NRSA02J-183X	MG RESISTOR		
	R 410	NRSA02J-304X	MG RESISTOR		
	R 411	NRSA02J-183X	MG RESISTOR		
	R 412	NRSA02J-123X	MG RESISTOR		
	R 413	NRS181J-101X	MG RESISTOR		
	R 414	NRS181J-102X	MG RESISTOR		
	R 415	NRSA02J-392X	MG RESISTOR		
	R 417	NRS181J-102X	MG RESISTOR		
	R 418	NRSA02J-223X	MG RESISTOR		
	R 419	NRSA02J-125X	MG RESISTOR		
	R 421	NRSA02J-473X	MG RESISTOR		
	R 422	NRSA02J-332X	MG RESISTOR		
	R 423	NRS181J-332X	MG RESISTOR		
	R 424	NRS181J-330X	MG RESISTOR		
	R 425	QRT036J-8R2	OMF RESISTOR	8.2 5% 1/3W	
	VR401	QVP0009-333Z	SEMI V RESISTOR		
	VR402	QVP0009-333Z	SEMI V RESISTOR		

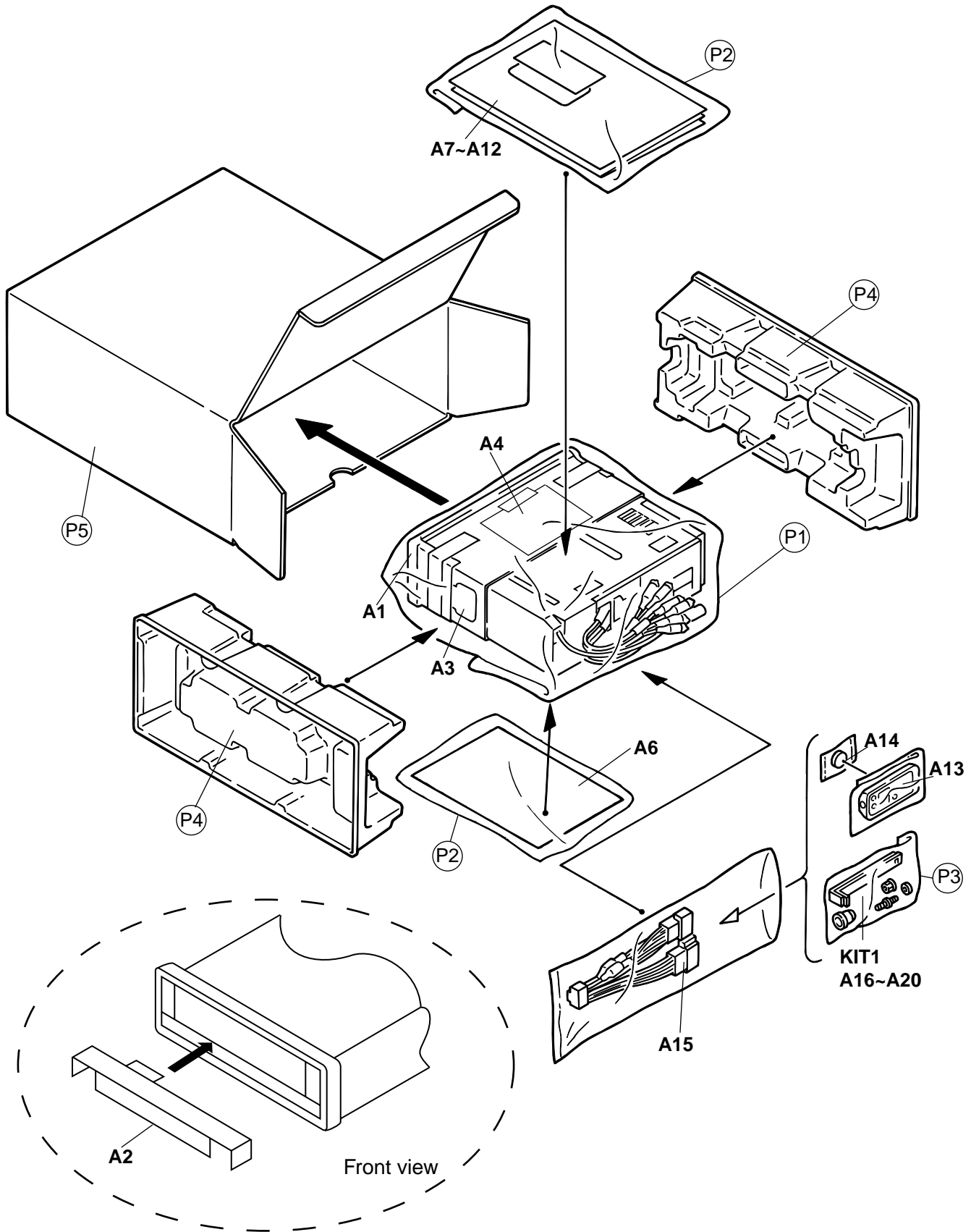
Packing materials and accessories parts list

Block No.

M	3	M	M
---	---	---	---

Block No.

M	4	M	M
---	---	---	---



Parts list (Packng)

Block No. M3MM

△	Item	Parts number	Parts name	Q'ty	Description	Area
	P 1	VPE3005-066	POLY BAG	1	SET	
	P 2	QPA01703505P	POLY BAG	2	INSTRUCTIONS	
	P 3	QPA00801205	POLY BAG	1	SCREW KIT	
	P 4	LV10193-201A	PAPER CUSHION	2		
	P 5	FSPE3001-198	CARTON	1		

Parts list (Accessories)

Block No. M4MM

△	Item	Parts number	Parts name	Q'ty	Description	Area
	A 1	FSJD1007-001	TRIM PLATE	1		
	A 2	LV41820-002A	TRANSPORT SHEET	1		
	A 3	FSKM2004-003SSF	MOUNTING SLEEVE	1		
	A 4	LV40978-001A	CAUTION SHEET	1		
	A 6	FSUN3148-311	INSTRUCTIONS	1	ENG,GER,FRE,DUT	
	A 7	FSUN3148-321	INSTRUCTIONS	1	SPA,ITA,SWE,FIN	
	A 8	FSUN3148-T211	INST.MANUAL	1	ENG,GER,FRE	
		FSUN3148-T481	INST.MANUAL	1	SWE,FIN	
		FSUN3148-T451	INST.MANUAL	1	DUT,SPA,ITA	
	A 9	LV41144-001A	LABEL(CODE)	1		
	A 10	BT-54013-1	WARRANTY CARD	1		
	A 11	VND3046-001	SERIAL TICKET	1		
	A 12	GET0037-001A	CAUTION SHEET	1		
	A 13	RM-RK31	REMOCON	1		
	A 14	QAB0014-001	BATTERY	1		
	A 15	QAM0267-001	CAR CABLE	1		
	A 16	VKZ4027-202	PLUG NUT	1		
	A 17	VKH4871-001	MOUNT BOLT	1		
	A 18	VKZ4328-001	LOCK NUT	1		
	A 19	WNS5000Z	WASHER	1		
	A 20	FSKL4010-002	HOOK	2		
	KIT 1	KDGS717K-SCREW1	SCREW PARTS KIT	1	A16-A20	